

F30-12x39 mL

Fixed Angle Carbon Fiber Rotor

12x39 mL



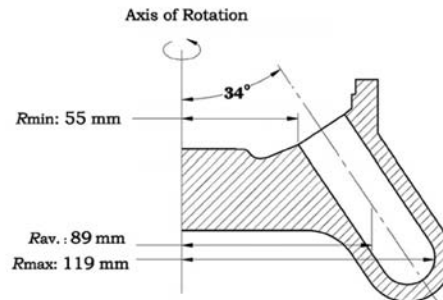
for
**Sorvall and Beckman
Ultra Centrifuges**

Features

- Lifetime warranty
- Safer than metallic rotors
- Corrosion free
- Cold room compatible
- Easy to handle
- Fully autoclavable
- Reduced wear on centrifuge drive
- Rapid acceleration and deceleration
- Highly resistant to radiolabel contamination

Applications

- Subcellular organelle separations
- Pelleting of microsomes



Specifications

- Max. Speed: 30,000 rpm
- Max. g-force: 126,000 x g
- Max. radius (r_{max}): 125 mm
- Min. radius (r_{min}): 56 mm
- Tube Angle: 34°
- k factor: 226
- Rotor Capacity: 12 x 39 mL (468 mL)
- Max Tube Size: $\phi 29$ x 105mm (1.13 x 4.0 in.)
- Rotor Mass: 4.8 kg (10.6 lbs.)
- Liquid Containment: No

Unique Features:

- High capacity multipurpose ultra speed rotor
- Pelleting and density gradient studies

For Sorvall Ultra Centrifuge

For Beckman Ultra Centrifuge

FIBERLite Rotor Model	F30L-12x39 mL	F30L-12x39 mL
FIBERLite Part No.	096-127036	096-127036
Will Spin In	OTD/Discovery/Ultra Pro 80	L Series
Will Replace	T-250	Type 50.2 Ti
Rotor Accessories and Replacement Parts		
Lid Assembly	099-127036	099-127036
O-Ring Refresher Kit	021-127036	021-127036

Ultra

Recommended Bottles with Cap Assemblies

Tube Style Material	Part No.	Volume (Nominal)	Tube Manufacturer Recommended g-Force
Polycarbonate (Set of 2)	010-0514	38.5 mL	118,944 x g

Recommended Adapters

010-1139 39 mL to 3x1.0 mL		010-1141 39 mL to 3.0 mL		010-1142 39 mL to 13.5 mL	
----------------------------------	---	--------------------------------	---	---------------------------------	---