



# HettCube INCUBATORS AND COOLED INCUBATORS

SUSTAINABLE. ERGONOMIC. HIGH QUALITY.



[www.hettichlab.com](http://www.hettichlab.com)

**Hettich**

INCUBATOR

## THE HettCube RANGE



## GET THE MOST OUT OF YOUR INCUBATORS.

ENVIRONMENTALLY FRIENDLY, ECONOMICAL AND WELL DESIGNED: THE NEW HettCube RANGE OF INCUBATORS WILL BENEFIT BOTH YOUR BALANCE SHEET AND THE ENVIRONMENT, AS WELL AS PROVIDING OPTIMUM GROWTH CONDITIONS FOR YOUR CULTURES.

Hettich laboratory equipment is now ubiquitous in laboratories devoted to research, quality assurance and routine diagnostics around the world. Our products – firmly established in the marketplace – are subject to continuous development and are adapted to suit the individual requirements of our customers. The development of the HettCube range is based on over 100 years of experience and expertise in laboratory technology. HettCube models not only meet our rigorous standards and yours, they also respect the needs of the environment. We guarantee you an optimised eco-balance, ease of use and superb quality.

## 200/200 R, 400/400 R, 600/600 R



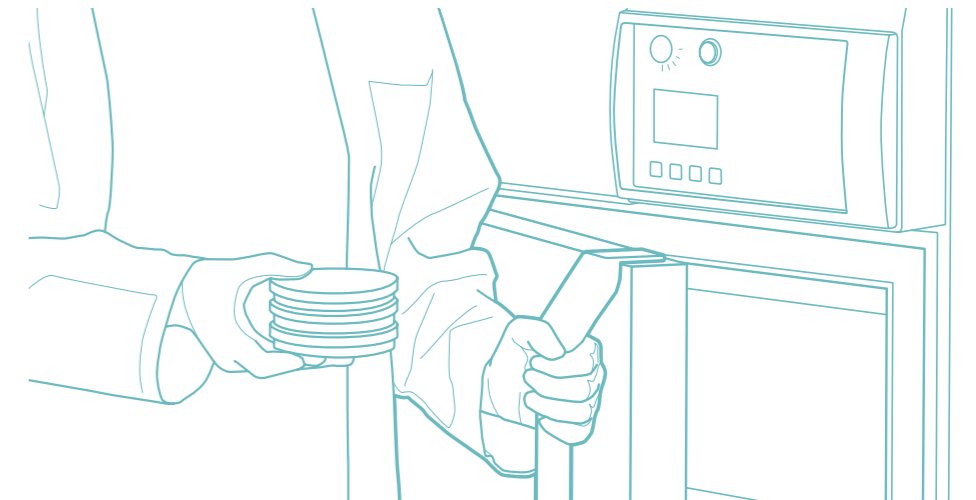
### EXCELLENT ECO-BALANCE.

Lower power consumption, reduced operating costs, lower environmental impact. The HettCube models only heat and cool as necessary. At an operating temperature of 37 °C, they consume less than 0.05 kWh. This saves energy and benefits your balance sheet, as well as protecting the environment. In addition, the HettCube insulation is made of water-blown foam, which contains no fluorinated hydro-carbons. Its Global Warming Potential (GWP) is one-thousandth that of conventional insulating foams.



### EASY OPERATION.

The HettCube range is characterised by exceptional functionality and customised features, so that you can load and unload them without difficulty. The doors close automatically at an angle of less than 90°. Since the doors do not require space to the side to open, the incubators can be positioned in corners or directly next to other laboratory equipment. All of the internal components and fittings are made from stainless steel and can be readily removed. Perfect ergonomics for greater convenience and valuable time saving.



### TESTED QUALITY.

The HettCube range is manufactured in Germany. We aim to deliver exemplary quality, so we only use parts and materials from selected suppliers and high-quality manufacturers. Quality and environmental management systems complying with ISO 9001, ISO 13485 and ISO 14001 standards are used in the development, production and marketing of HettCube models. All temperature data were ascertained in accordance with DIN 12880:2007-5. You can rely on us 365 days of the year.



# MORE BENEFITS FOR YOU



THE MOST IMPORTANT ADVANTAGES OF OUR THREE MODELS ARE PRESENTED BELOW. HettCube INCUBATORS WILL CATER FOR ALL YOUR REQUIREMENTS. SEE FOR YOURSELF.



### CREATE CONNECTIONS

One bushing on the rear panel is provided as standard.



### SAVE SPACE

The door does not require space at the side to open. This means that the incubator can be positioned in a corner or close to other lab equipment. The door hinges can easily be moved from one side of the incubator to the other.



### STAY MOBILE

The HettCube 400 and 600 models have castors for moving them to the desired position. Once in position they can be fixed with adjustable feet.



### PROTECT THE ENVIRONMENT

HettCube incubators can also operate at a temperature 1 K above a stable ambient temperature. This allows a HettCube incubator to be used without cooling in situations in which incubators from other manufacturers must have cooling.

### SAVE MONEY

At an operating temperature of 37 °C, a HettCube consumes less than 0.05 kWh.



### OPTIMUM SAFETY

The practical door-locking mechanism locks both the door and the control panel at the same time. This prevents inadvertent changes to parameters and harmful effects on cultures.



### CLOSING BY ITSELF

A HettCube incubator will close automatically at an opening angle below 90°. A magnetic mechanism assists this automatic closing.



### UNIMPEDED ACCESS

Loading and unloading of the incubators is much easier because there is no inner door.

Optional shelves and drawers run on telescopic rails and can be pulled out up to 70%.



### SAFE GRIP

Rounded grips on the standard shelves keep your gloves safe from ripping.



### REMARKABLY QUIET

The fan is located outside the usable space. So HettCubes generate a remarkably low noise level of ≤ 44 dB(A).

### EASY CLEANING

The internal lining, drawers and shelves are made of stainless steel and can be readily removed for thorough cleaning and autoclaving.



# PERFECT CONDITIONS



## TEMPERATURE CONTROL PRINCIPLE



### CONSTANT TEMPERATURE. HOMOGENEOUS TEMPERATURE DISTRIBUTION.

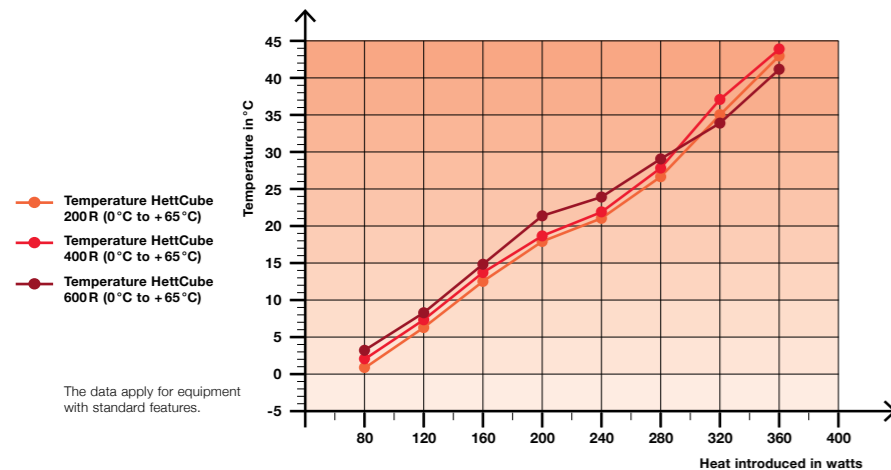
Our guardians of culture: the HettCube range combines the advantages of natural and forced convection. The fan is housed outside the usable space, so that there is a low air flow inside the incubator. The temperature is maintained by radiated heat, preventing the formation of hot spots. Cultures do not dry out and the conditions inside the incubator are the same at all points, helping to deliver reproducible results. This sophisticated air circulation system, along with the good insulation, makes an inner door unnecessary.

## HEAT COMPENSATION

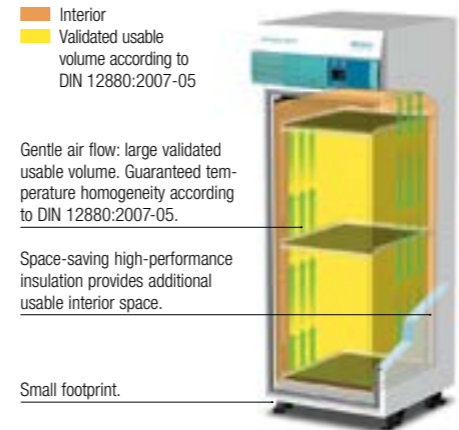
HettCube models react to changes in ambient conditions. Temperature fluctuations outside the incubator and energy introduced into the usable space by external equipment are compensated for immediately and actively.

### Heat compensation of the HettCube 200R/400R/600R

Lowest attainable temperature values upon introduction of equipment with different heat outputs.

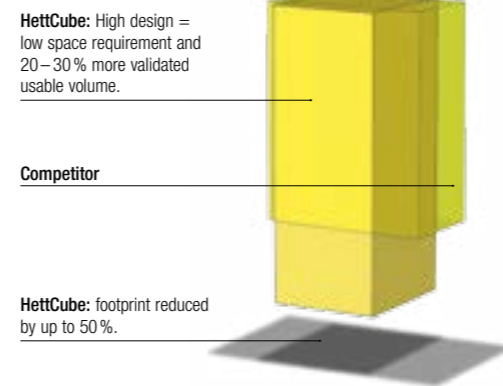


## VALIDATED USABLE VOLUME



### MORE VALIDATED USABLE VOLUME. FOOTPRINT REDUCED BY UP TO 50 %.

In the laboratory every centimetre counts. For this reason, we decided against a strong air flow, which achieves validated temperature homogeneity in only 50% of the interior space, and opted for gentle air flow. This, along with our highly efficient, space-saving insulation, allows you to benefit from a maximum validated usable volume and a minimum footprint.



### HettCube incubators pay off:

HettCube	Competitor
Gentle air flow	Strong air flow
+ High-performance insulation	+ Bulky insulation
+ Small footprint	+ Large footprint
=	=
Maximum loading capacity + cost savings per m <sup>2</sup> laboratory space	Low loading capacity + higher costs per m <sup>2</sup> laboratory space

# STANDARD FEATURES AND OPTIONS



## STANDARD FEATURES

- RS 485/422 interface
- Microprocessor controller with program functions: Protection against temperatures above or below the set value. Temperatures can be set with an accuracy of 0.1 °C.
- Potential-free alarm output
- Acoustic and visual alarms
- Temperature selection monitor class 3.1
- Bushing with 22 mm diameter on rear panel
- Control panel and door lockable simultaneously
- Interior of high-quality stainless steel (W-St 1.4301 (ASTM 304))
- Factory certificate based on the Hettich QM system, mean value of 9 measurement points as per DIN 12880:2007-05 at 37 °C



## OPTIONS

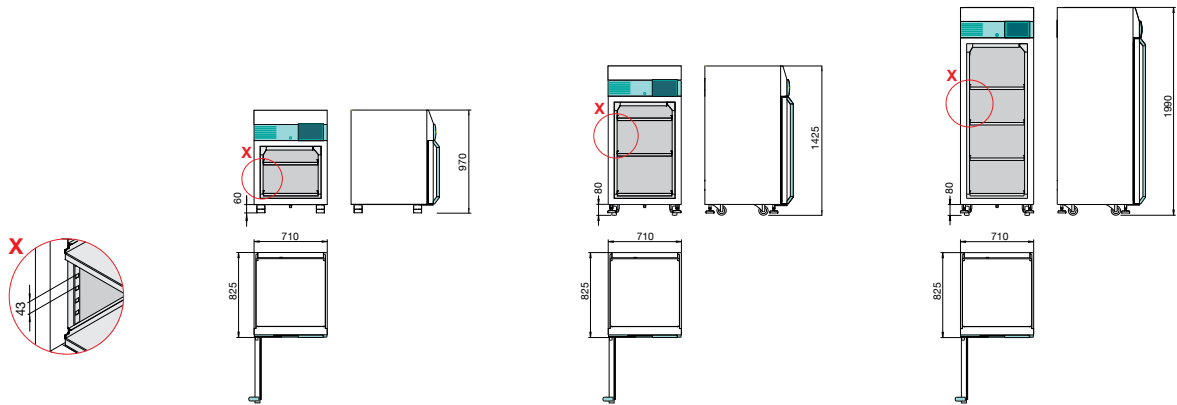
Customise your HettCube model to suit your individual requirements. The optional Hettich components satisfy the same high quality requirements as the incubators.

	Cat. No.
USB converter incl. connecting cable and software for programming and recording (60901)	60501
Ethernet converter incl. connecting cable and software for programming and recording (60901)	60502
Software for programming and recording data for a HettCube incubator for up to 60 days	60901
Independent, flexible PT 100 sensor (4-wire) with 4–20 mA analogue output on the rear panel, with external alarm monitoring for recording temperature in the event of a power failure (LIM compatible)	60503
Independent, flexible PT 100 sensor (4-wire) with 4-pole connection on the rear panel (LIM compatible)	60504
Object temperature display with flexible PT 100 sensor (4-wire), with data logging by Hettich software	60505
EU internal socket outlet IP 54, max. load 400 watts, without residual current device	60511
EU internal socket outlet IP 54, max. load 400 watts, <b>with</b> residual current device (10 mA)	60515
US internal socket outlet NEMA 5-15 R, IP 54, max. load 400 watts, without residual current device	60508
US internal socket outlet NEMA 5-15 R, IP 54, max. load 400 watts, <b>with</b> residual current device (10 mA)	60512
UK internal socket outlet BS 1363, IP 54, max. load 400 watts, without residual current device	60509
UK internal socket outlet BS 1363, IP 54, max. load 400 watts, <b>with</b> residual current device (10 mA)	60513
CH internal socket outlet SEV 1011, IP 54, max. load 400 watts, without residual current device	60510
CH internal socket outlet SEV 1011, IP 54, max. load 400 watts, <b>with</b> residual current device (10 mA)	60514
Bushing on the left side of the incubator, Ø 22 mm	60006
Bushing on the left side of the incubator, Ø 42 mm	60007
Bushing on the left side of the incubator, Ø 67 mm	60008
Stacking kit, for safe stacking of two HettCube 200 or 200R models on top of each other	60009
Shelf of stainless steel with guide rails of stainless steel (standard shelf)	60001
Shelf of stainless steel with telescopic rails, pulls out up to 70%, max. load 40 kg	60002
Drawer of stainless steel with telescopic rails, pulls out up to 70%, max. load 40 kg, height 35 mm	60003
Drawer of stainless steel with telescopic rails, pulls out up to 70%, max. load 40 kg, height 100 mm	60004
Drawer of stainless steel with telescopic rails, pulls out up to 70%, max. load 40 kg, height 150 mm	60005
Separate interlocking of the control panel	60014
Rolling cabinet for a HettCube 200 or 200R model	60010

Further options on request.



# HIGH PERFORMANCE: THE TECHNICAL DATA



All dimensions in mm

MODEL	HettCube 200	200 R	HettCube 400	400 R	HettCube 600	600 R
Temperature range for incubators / cooled incubators	1 K above ambient temperature up to +65 °C / 0 °C to +65 °C					
Exterior dimensions (incl. adjustable feet and bushing on rear panel) W x D x H in mm	710 x 825 x 970		710 x 825 x 1425		710 x 825 x 1990	
Interior dimensions W x D x H in mm	535 x 690 x 420		535 x 690 x 850		535 x 690 x 1415	
Internal volume in litres	150		310		520	
Footprint in m <sup>2</sup>	0.6		0.6		0.6	
Weight in kg	88	99	113	124	163	174
Number of shelves provided as standard	2		3		4	
Temperature fluctuation at +37 °C	± 0.1 K					
Temperature uniformity at +37 °C	± 0.2 K					
Temperature uniformity at +25 °C	± 0.1 K					
Recovery time after door has been opened for 30 s at +37 °C	≤ 3 min		≤ 4.5 min		≤ 5.5 min	
Energy consumption at +37 °C	0.025 kWh		0.038 kWh		0.049 kWh	
Noise level	≤ 41 dB(A)	≤ 44 dB(A)	≤ 41 dB(A)	≤ 44 dB(A)	≤ 41 dB(A)	≤ 44 dB(A)
Power supply	220–240 V 1 ~ / 50–60 Hz					
<b>Cat. No.</b>	<b>62000</b>	<b>62005</b>	<b>64000</b>	<b>64005</b>	<b>66000</b>	<b>66005</b>

OTHER VOLTAGES	Cat. No.					
120V 1 ~ / 50–60 Hz	<b>62000-01</b>	<b>62005-01</b>	<b>64000-01</b>	<b>64005-01</b>	<b>66000-01</b>	<b>66005-01</b>
110V 1 ~ / 50–60 Hz	<b>62000-03</b>	<b>62005-03</b>	<b>64000-03</b>	<b>64005-03</b>	<b>66000-03</b>	<b>66005-03</b>
100V 1 ~ / 50–60 Hz	<b>62000-04</b>	<b>62005-04</b>	<b>64000-04</b>	<b>64005-04</b>	<b>66000-04</b>	<b>66005-04</b>
127V 1 ~ / 50–60 Hz	<b>62000-05</b>	<b>62005-05</b>	<b>64000-05</b>	<b>64005-05</b>	<b>66000-05</b>	<b>66005-05</b>
Weight in kg*	98	109	123	134	173	184
Energy consumption at +37 °C*	0.04 kWh		0.05 kWh		0.06 kWh	
Noise level*	≤ 42 dB(A)	≤ 44 dB(A)	≤ 42 dB(A)	≤ 44 dB(A)	≤ 42 dB(A)	≤ 44 dB(A)

\*All other data are the same as for the product versions with standard voltage (220–240 V 1 ~ / 50–60 Hz).

All temperature values were ascertained at an ambient temperature of +22 °C in accordance with DIN 12880:2007-5. The data apply for incubators with standard features.



We are an Authorised Economic Operator, which means you can expect expeditious customs clearance and speedy delivery.

**Andreas Hettich GmbH & Co. KG**

Föhrenstraße 12  
D - 78532 Tuttlingen/Germany  
Phone: +49 (0)7461 705-0  
info@hettichlab.com



[www.hettichlab.com](http://www.hettichlab.com)

LAB TECHNOLOGY