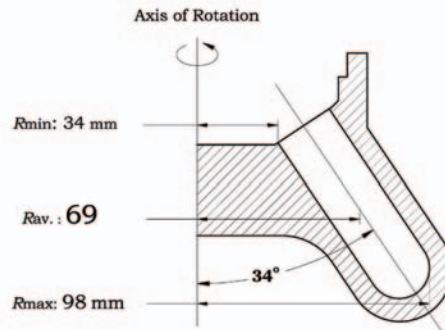


# F30-8x39 mL

Fixed Angle Carbon Fiber Rotor

8x39 mL



## Features

- Lifetime warranty
- Safer than metallic rotors
- Corrosion free
- Cold room compatible
- Easy to handle
- Fully autoclavable
- Reduced wear on centrifuge drive
- Rapid acceleration and deceleration
- Highly resistant to radiolabel contamination

## Applications

- Subcellular organelle separations
- Pelleting of microsomes

## Specifications

- Max. Speed: 30,000 rpm
- Max. g-force: 92,736 x g
- Max. radius ( $r_{max}$ ): 92 mm
- Min. radius ( $r_{min}$ ): 39 mm
- Tube Angle: 34°
- k factor: 241
- Rotor Capacity: 8 x 39 mL (312 mL)
- Max Tube Size:  $\phi 29 \times 105$ mm (1.13 x 4.0 in.)
- Rotor Mass: 3.63 kg (8.0 lbs.)
- Liquid Containment: No

### Unique Features:

- Multipurpose ultra speed rotor
- Pelleting and density gradient studies

### For Sorvall Ultra Centrifuge

### For Beckman Ultra Centrifuge


<b>FIBERLite Rotor Model</b>	F30L-8x39 mL	F30L-8x39 mL
<b>FIBERLite Part No.</b>	096-087041	096-087041
<b>Will Spin In</b>	OTD/Discovery/Ultra Pro 80	L Series
<b>Will Replace</b>	A-841	Type 50.2 Ti
<b>Rotor Accessories and Replacement Parts</b>		
Lid Assembly	099-087041	099-087041
O-Ring Refresher Kit	021-087041	021-087041

Ultra

### Recommended Bottles with Cap Assemblies

Tube Style Material	Part No.	Volume (Nominal)	Tube Manufacturer Recommended g-Force
Polycarbonate (Set of 2)	010-0514	38.5 mL	118,944 x g

### Recommended Adapters

010-1139 39 mL to 3x1.0 mL		010-1141 39 mL to 3.0 mL		010-1142 39 mL to 13.5 mL	
----------------------------------	---	--------------------------------	---	---------------------------------	---